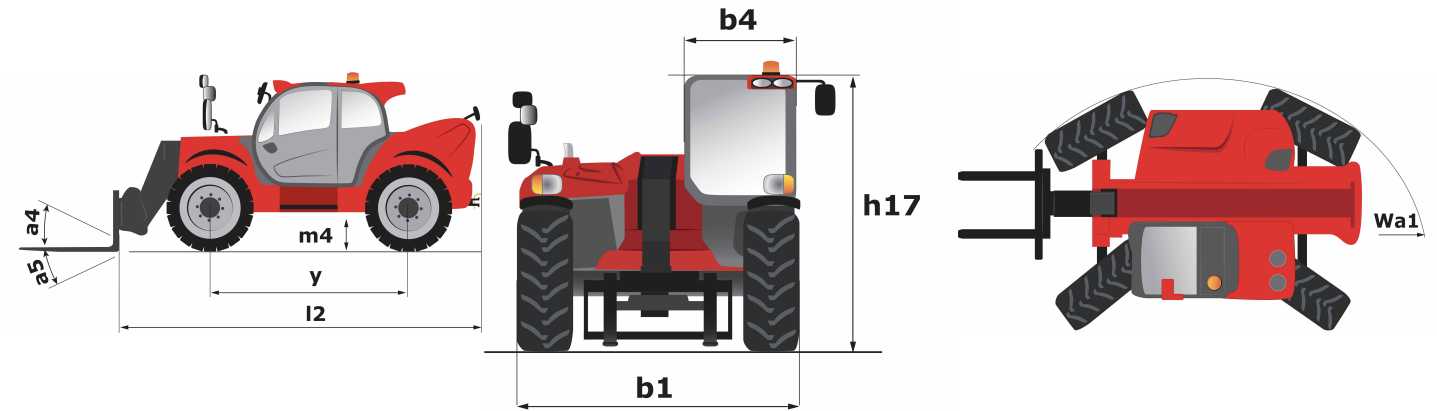


Technical sheet :

MHT 10180

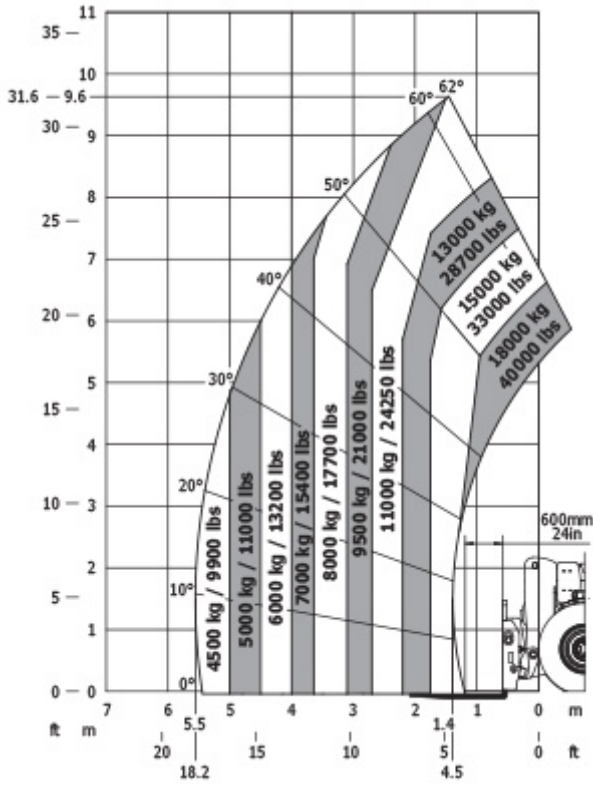
Capacities		Metric	Imperial
Max. capacity	Q	18000 kg	39683 lbs
Load centre of gravity	c	600 mm	23.622 in
Max. lifting height	h3	9.63 m	31 ft 7 in
Max. Reach	l4	5.56 m	18 ft 3 in
Weight and dimensions			
Unladen weight (with forks)		24000 kg	52911 lbs
Ground clearance center	m4	0.44 m	1 ft 5 in
Wheelbase	y	3.75 mm	0.148 in
Overall width	b1	2.52 m	8 ft 3 in
Overall height	h17	3 m	9 ft 10 in
Overall cab width	b4	0.93 m	3 ft 1 in
Tilt-down angle	a5	105 °	105 °
Tilt-up angle	a4	12 °	12 °
External turning radius (over tyres)	Wa1	5.5 m	18 ft 1 in
Outer turning radius (with forks)	b15	5.5 m	18 ft 1 in
Forks length / width / section	l / e / s	1200 mm x 200 mm x 80 mm	47.244 in x 7.874 in x 3.15 in
tires			
Standard tyres		Goodyear - EV-3 - 16 R25	Goodyear - EV-3 - 16 R25
Number of rear wheels		2	2
Steering wheels (front / rear)		2 / 2	2 / 2
Drive wheels (front / rear)		2 / 2	2 / 2
Steering mode		2 wheel steer, 4 wheel steer, Crab mode	2 wheel steer, 4 wheel steer, Crab mode
Engine			
Engine brand		Mercedes	Mercedes
Engine norm		Stage IV / Tier 4 Final	Stage IV / Tier 4 Final
Engine model		OM 934 LA. E4-3	OM 934 LA. E4-3
Number of cylinders / Capacity of cylinders		4 - 5100 cm ³	4 - 311.22 in ³
I.C. Engine power rating / Power (kW)		176 Hp / 129 kW	176 Hp / 129 kW
Max. torque / Engine rotation		1600 Nm@1600 tr/min	1600 Nm@1600 tr/min
Engine cooling system		Water	Water
Number of batteries		2	2
Battery / Batteries capacity		12 V / 120 Ah	12 V / 120 Ah
Drawbar pull (Laden)		15970 daN	15970 daN
Transmission			
Transmission type		Hydrostatic	Hydrostatic
Number of gears (forward / reverse)		2 / 2	2 / 2
Max. travel speed (may vary according to applicable regulations)		24.9 km/h	15.5 mph
Parking brake		Automatic Negative Hand-brake	Automatic Negative Hand-brake
Service brake		Hydraulic	Hydraulic
Gradeability - laden		29 %	29 %
Hydraulics			
Hydraulic pump type		Variable pump	Variable pump
Hydraulic flow - Pressure		205 l/min - 350 Bar	205 l/min - 24 PSI
Tank capacities			
Engine oil		21 l	4.62 gal
Hydraulic oil		290 l	63.79 gal
Fuel tank		315 l	69.29 gal
Diesel Exhaust fluid (AdBlue® type)		63 l	13.86 gal
Noise and vibration			
Noise at driving position (LpA)		80 dB(A)	80 dB(A)
Noise to environment (LwA)		107 dB(A)	107 dB(A)
Vibration on hands/arms		0 Nm	0 ft/s
Miscellaneous			
Safety cabin homologation		Cab ROPS - FOPS Level 2	Cab ROPS - FOPS Level 2
Controls		JSM	JSM
Attachment recognition system (E-Reco)		Standard	Standard

Dimensional drawing

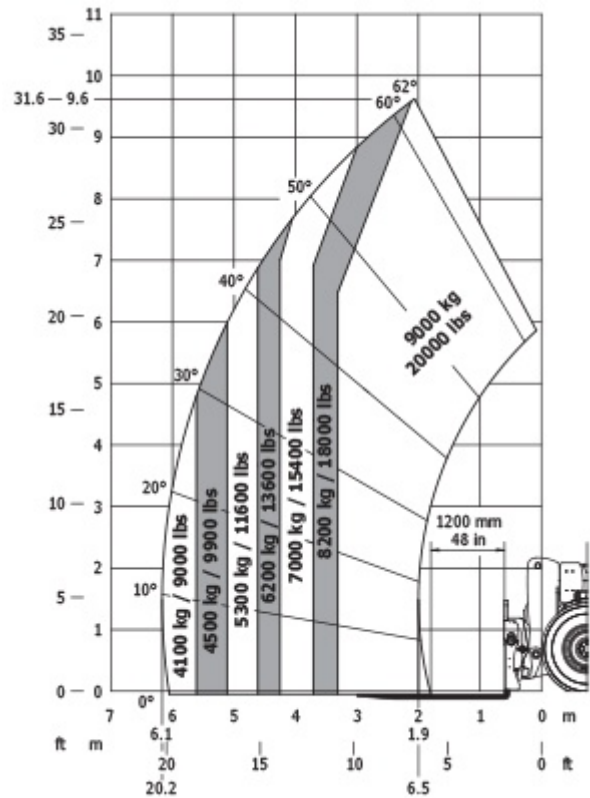


Load chart

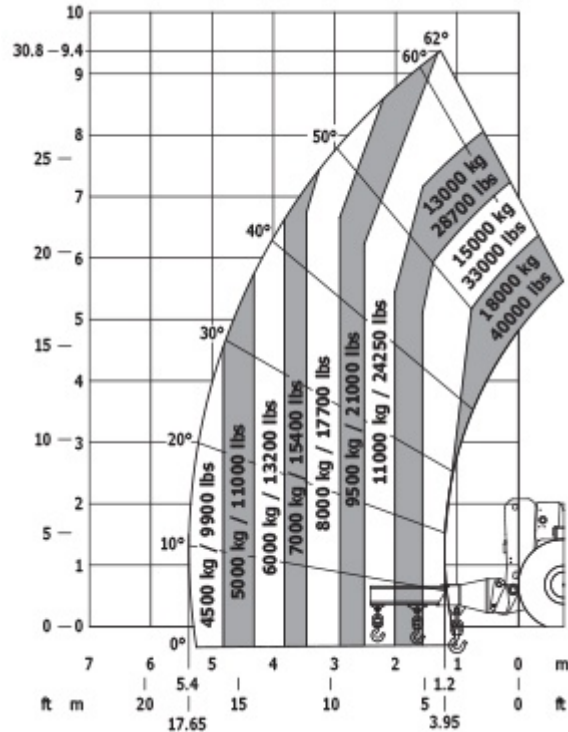
Machine on tyres with forks LC 600 mm Metric



Machine on tyres with forks LC 1200 mm Metric



Machine on tyres with jib Metric





Siège Social
430 rue de l'Aubinière - 44150 Ancenis Cedex - France
Tel: +33(0)2 40 09 10 11 - Fax: +33 (0)2 40 09 10 97
www.manitou.com



This brochure describes versions and configuration options for Manitou products which may be fitted with different equipment. The equipment described in this brochure may be standard, optional or not available depending on version. Manitou reserves the right to change the specifications shown and described at any time and without prior warning. The manufacturer is not liable for the specifications given. For more information, contact your Manitou dealer. Non-contractual document. Product descriptions may differ from actual products. List of specifications is not comprehensive. The logos and visual identity of the company are the property of Manitou and may not be used without authorisation. All rights reserved. The photos and diagrams contained in this brochure are provided for information only.

MANITOU BF SA - Limited company with board of directors - Share capital: 39,668,399 euros - 857 802 508
RCS Nantes